

# TYPE 1 TO TYPE 2 MODE 2 EV CHARGING CABLE

32A | 7.2KW

[ Model: BS-CHC008 ]



For Electric Vehicles



Withstand The Crush of Cars



Protection Level IP54



SAE J1772 Plug



IEC 62196-2 Male Plug



1 Years Warranty

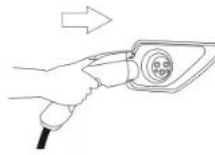
## STEPS FOR USAGE



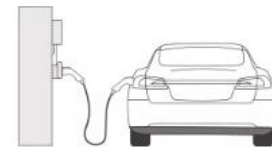
1. Take out ev charging cable



2. Plug into charging station outlet



3. Plug into the car charging port



4. Straight Cable Charging

### ◆ NOTE:

- Please select a suitable charging current in the charging gun, the current cannot be switched during the charging process.
- After the charging plug (car end) is disconnected from the vehicle, pull out the power plug (wall end) to prevent others from touching it.

## PRODUCT INTRODUCTION

### TPU CABLE

Stronger and anti-aging

Meet the newest EN standard

More environmentally friendly,  
halogen-free

More resistant to cold and keep  
flexible at -40°C

More resistant to bending and longer  
service life

### EV PLUG

Self-cleaning function on pins

Unique integrated design, stronger

Temperature monitoring on plugs  
(patented)

Better conductivity and higher energy  
transmission

efficiency

This product is special designed for electric vehicle charging, generally called a mode 3 EV charging cable used to connect EV charger and electric car. There are two types according to different car end plugs: Type 1 cable and Type 2 cable. This product has a unique integrated design and strong structure which can be used outdoor and in rainy environment. It could also withstand the crushing of a vehicle. The product is equipped unique temperature monitor system. To ensure the safe operation, it will automatically cut off the charging current when the temperature is over set value.

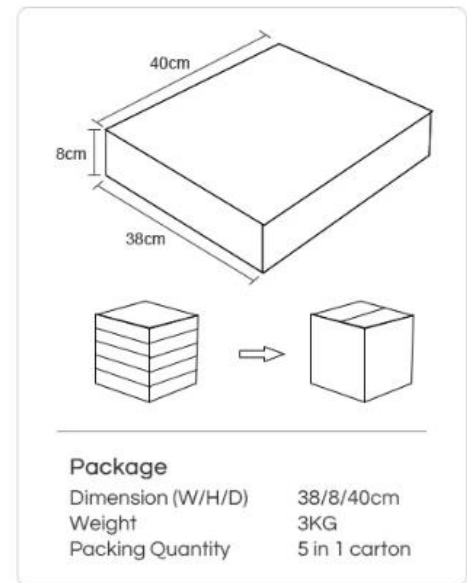
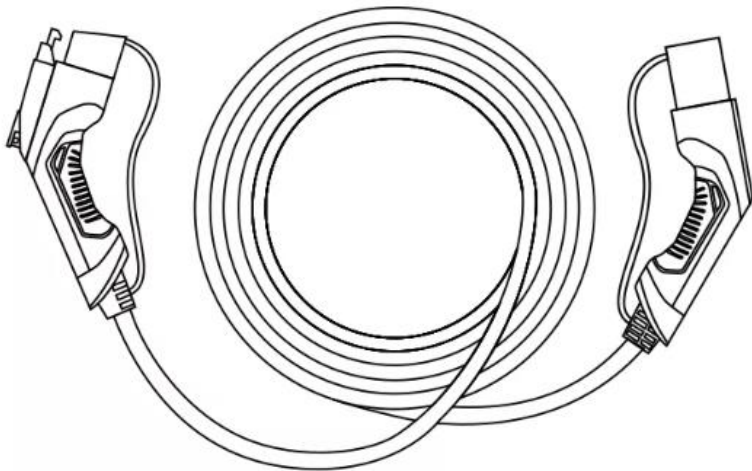
### Cautions

- ☆ The charging cable is only for EV charging using
- ☆ Don't submerge the charging cable in water
- ☆ Don't put finger into the charging plug
- ☆ Don't use the device when the cable is damaged
- ☆ Don't dis-assemble or refit the product

### NOTE:

- ☆ The precautions for use include but are not limited to those listed above.
- ☆ If you are not sure whether it will cause safety hazards, please contact after-sales service in time.

## PRODUCT PARAMETER



Product Specification		Working Environment	
Rated current	32A	Maximum altitude	<2000
Working voltage	240V AC	Environment temperature	-40°C ~ +55°C
Insulation resistance	>1000M Ω	Relative humidity	0-95% non-condensing
Terminal temperature rise	<50K	Standby power consumption	<8W
Withstand voltage	2000V		
Contact impedance	0.5m Ω Max	Charging Cable Spec	
Mechanical life	plug in/out > 20000 times	TPU/TPE	3*6.0mm <sup>2</sup> +1*0.5mm <sup>2</sup>
Waterproof Protection degree	IP54	Length	5m or customized
Product Material		Certificate	
Shell Material	Thermo Plastic ( Insulator inflamm ability UL94 VO)	CE	FCC
Contact Pin	Copper alloy, silver or nickel plating	ROHS	IK10
Sealing gasket	rubber or silicon rubber	CCC	
Cable	TPU/ TPE		

## PRODUCT CHARACTERISTIC



### ★ Better Conductivity

The silver plating on the pins makes better conductivity, higher charging efficiency, and effectively reduces heat generation.

### ★ Arcing Design

The special "self-clean" design. The impurities on the surface of the pins can be removed in each plug-in process. It could also effectively reducing the generation of the electric sparks.

### ★ Integrated Design

The plug adopts an advanced integrated design without any screw fixation. The waterproof performance is also higher compared with normal two-piece design or screw-fixed plugs. High safety level IK10 can protect the plug against the impacts of the car.

### ★ Temperature Monitoring

The monitor system on plug (patented) is sensitive to changes in temperature. Once it detects the temperature is higher than the set safe value, current will be automatically cut off.

### ★ Ergonomic Design

The body design of the plug has a small angle horizontal bending. It is in the line with the habit of manual force and more convenient to plug an unplug.